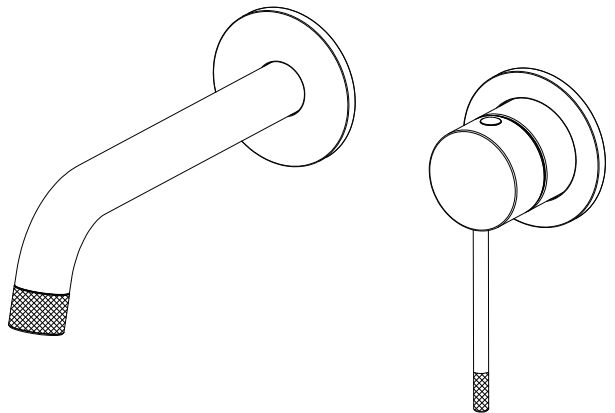


mob

INSTALLATION INSTRUCTIONS

Wall Concealed Single Lever Basin Mixer



Before Installation

Check whether the product in the package is consistent with the installation instructions

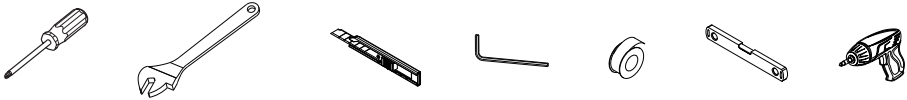
Make sure the product is suitable for the use environment (pressure : 0.03 MPa - 1 MPa, temperature: 5°C - 9 0°C)

Check whether the product and spare parts are damaged

Turn off the waterway switch before installation

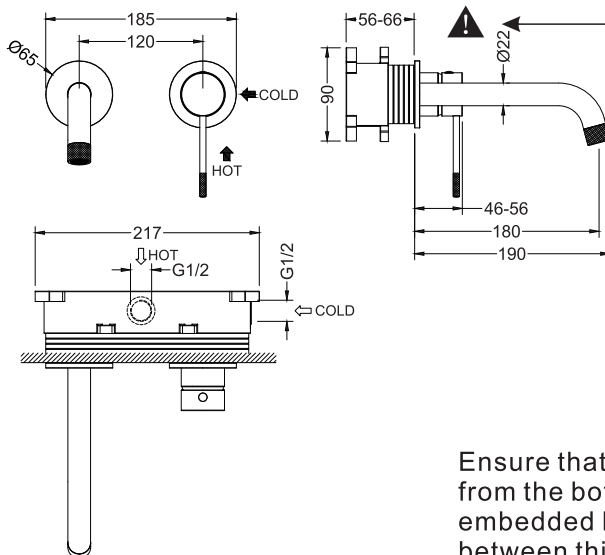
Prepare the tools you may need

Recommend Tools



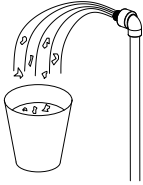
Dimensions

Unit:mm



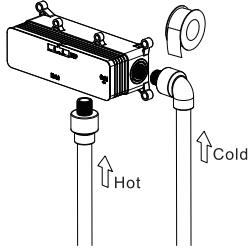
Ensure that the distance from the bottom of the embedded box to the wall is between this size

1



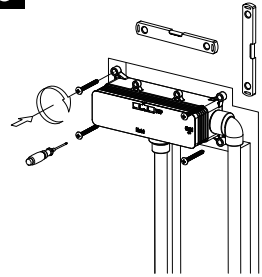
For the first-time install, flush the pipes first by opening the angel valve to run 60s

2



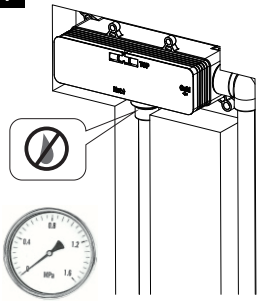
Connect the pipe to the water port, Bottom (H) for hot water and right (C) for cold water

3



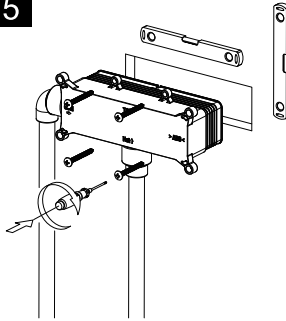
Get the wall cut accordingly to the instruction, check the horizontality and verticality of the valve box, adjust if necessary. Then Fix the valve box onto the wall.

4



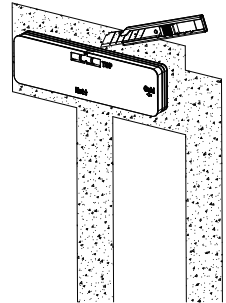
Pressurize the test pipeline for hydraulic pressure to check for leaks Use Cement or other materials to cover the wall and Valve box.

5



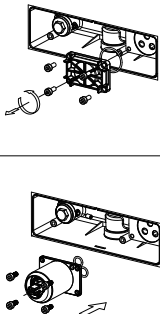
Get the hollow wall cut, and Install the box and valve from the back of hollow wall ,then fix the screws.

6



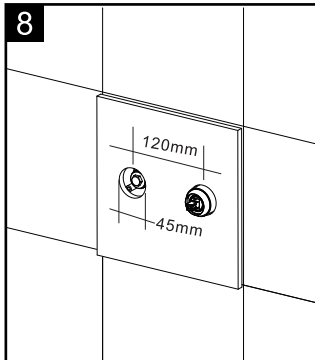
Fill cement to fix the embedded box, cut out the part of the embedded box above the wall.

7



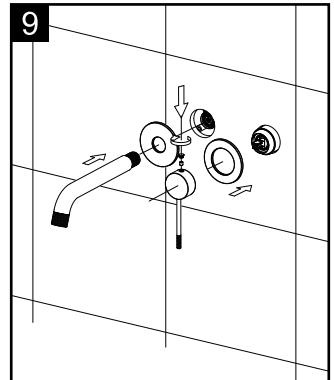
Remove the plastic plate and install the valve assembly.

8



Open holes on the tiles and paste them according to the dimensions shown in the figure.

9



Install other components.

Before Use

In order to ensure the faucet functional stability and long-lasting appearance, please follow the following precautions:

The main body of the faucet is made of high-quality brass. Brass is soft, so do not hit it with hard objects;

Each component of this product has been professionally assembled and tested before leaving the factory. Non-professionals should not disassemble it to avoid affecting the product warranty;

Do not use this product at overpressure or temperature to avoid excessive harm to your body and irreversible damage to the product;

In order to maintain a better appearance, rinse the surface stains with clean water after each use;

Do not use metal or other hard cleaning tools to clean the product surface to avoid scratching the product;

Do not use acidic or other highly corrosive cleaners to clean the product surface to avoid damaging the product surface coating;

When a product malfunctions, contact the dealer promptly to send a professional to perform maintenance.