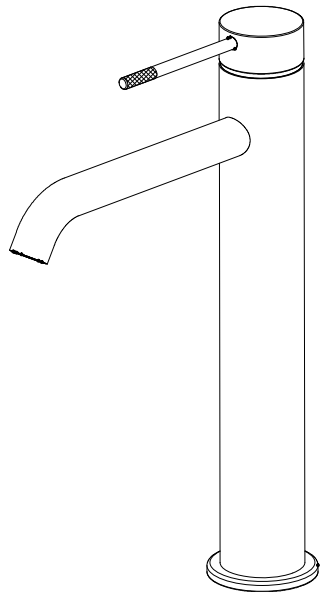


mob

INSTALLATION INSTRUCTIONS

Single Lever Basin Mixer



Before Installation

Check whether the product in the package is consistent with the installation instructions

Make sure the product is suitable for the use environment (pressure : 0.03 MPa - 1 MPa, temperature: 5°C - 9 0°C)

Check whether the product and spare parts are damaged

Turn off the waterway switch before installation

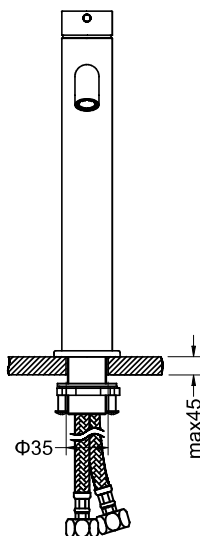
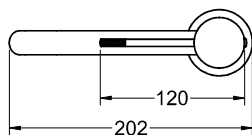
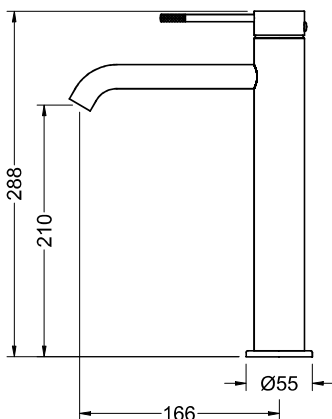
Prepare the tools you may need

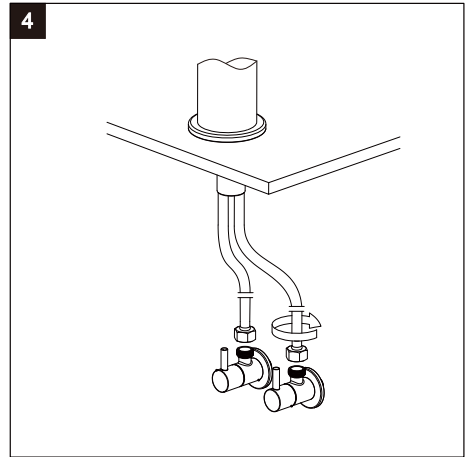
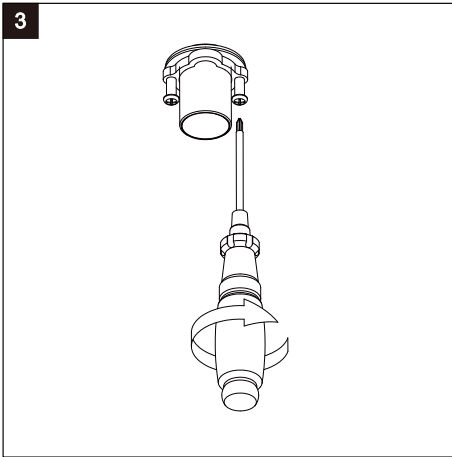
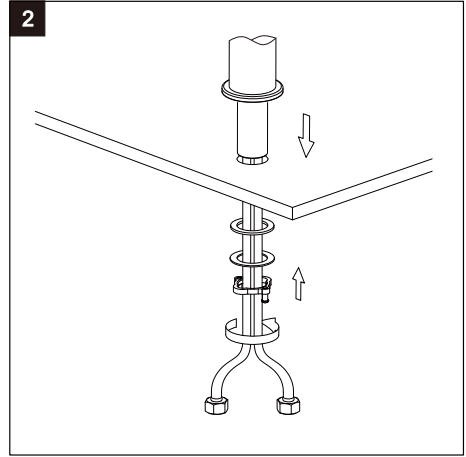
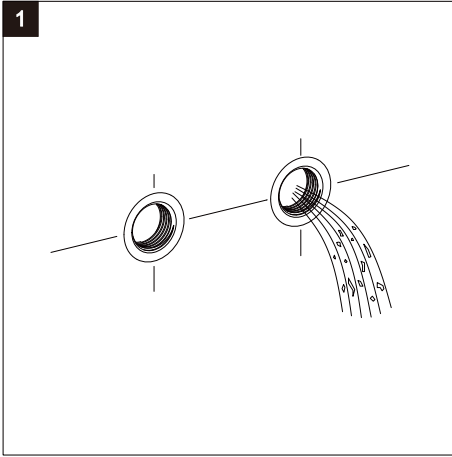
Recommend Tools



Dimensions

Unit:mm





1. Open the main switch of the water valve to drain the debris in the pipe,
2. Remove the locking nut and gasket of the faucet dental tube, and insert the faucet into the installation hole from top to bottom on the countertop. Insert the rubber gasket, metal gasket, and locking nut into the dental pipe from under the table in sequence, and initially lock them clockwise.,
3. Use a Phillips screwdriver to tighten the screws on both sides of the locking nut to ensure that the faucet is not loose,
4. Install the angle valve, connect the braided pipe of the faucet to the corresponding inlet and outlet water level, the red pipe is connected to the hot water pipe, the blue pipe is connected to the cold water pipe, and the colorless pipe is connected to the water outlet pipe.

Before Use

In order to ensure the faucet functional stability and long-lasting appearance, please follow the following precautions:

The main body of the faucet is made of high-quality brass. Brass is soft, so do not hit it with hard objects;

Each component of this product has been professionally assembled and tested before leaving the factory. Non-professionals should not disassemble it to avoid affecting the product warranty;

Do not use this product at overpressure or temperature to avoid excessive harm to your body and irreversible damage to the product;

In order to maintain a better appearance, rinse the surface stains with clean water after each use;

Do not use metal or other hard cleaning tools to clean the product surface to avoid scratching the product;

Do not use acidic or other highly corrosive cleaners to clean the product surface to avoid damaging the product surface coating;

When a product malfunctions, contact the dealer promptly to send a professional to perform maintenance.