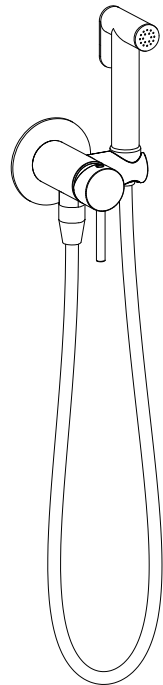


mob

INSTALLATION INSTRUCTIONS



Before Installation

Check whether the product in the package is consistent with the installation instructions

Make sure the product is suitable for the use environment (pressure : 0.03 MPa - 1 MPa, temperature: 5°C - 9 0°C)

Check whether the product and spare parts are damaged

Turn off the waterway switch before installation

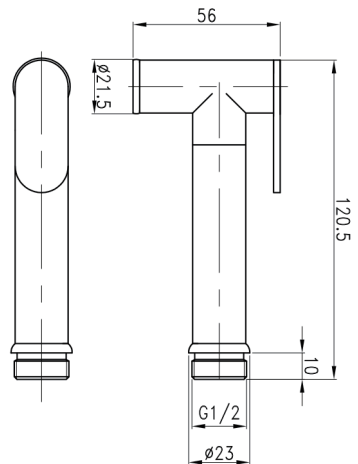
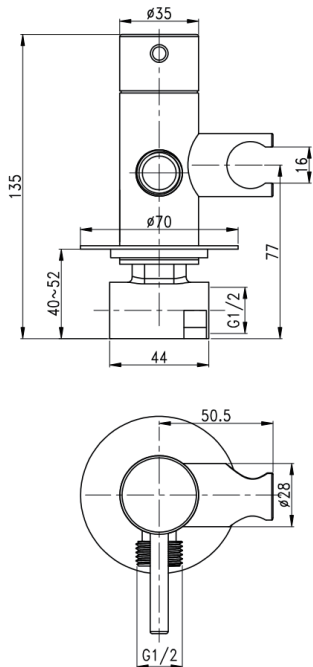
Prepare the tools you may need

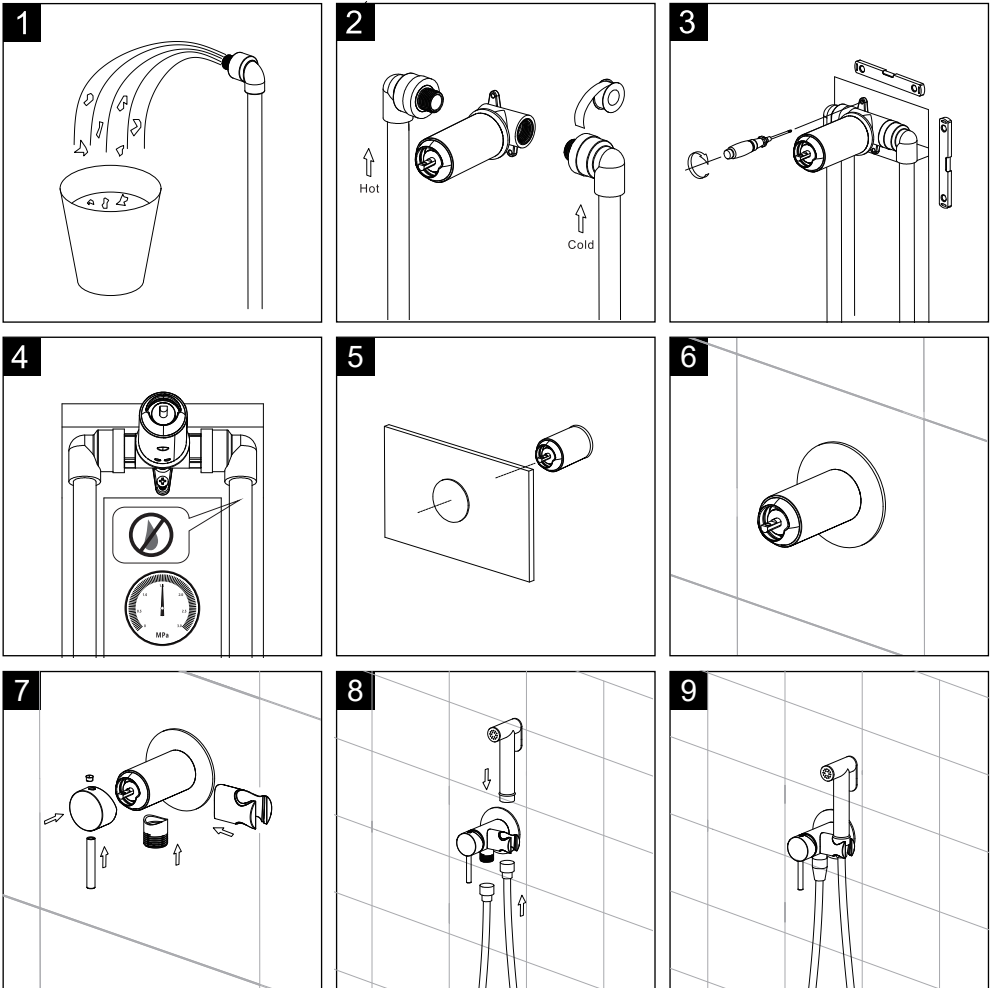
Recommend Tools



Dimensions

Unit:mm





1. Clean debris in pipes,
2. Connect the pipe and the body.
3. Fix the body, adjust the horizontal and vertical directions.
4. Pressure test valve body and pipe tightness,
5. When laying tiles, holes are opened according to the size of the main body of the product.
6. Put the main decorative cover into the main body.
7. Fix the individual parts with screws.
8. Connect one end of the hose to the outlet fitting and the other end to the spray gun.
10. The attached gun is placed on the main bracket and the installation is completed.

Before Use

In order to ensure the faucet functional stability and long-lasting appearance, please follow the following precautions:

The main body of the faucet is made of high-quality brass. Brass is soft, so do not hit it with hard objects;

Each component of this product has been professionally assembled and tested before leaving the factory. Non-professionals should not disassemble it to avoid affecting the product warranty;

Do not use this product at overpressure or temperature to avoid excessive harm to your body and irreversible damage to the product;

In order to maintain a better appearance, rinse the surface stains with clean water after each use;

Do not use metal or other hard cleaning tools to clean the product surface to avoid scratching the product;

Do not use acidic or other highly corrosive cleaners to clean the product surface to avoid damaging the product surface coating;

When a product malfunctions, contact the dealer promptly to send a professional to perform maintenance.